

QUIZ NO. 6 - SOLUTION

(Average score = 5.6/10 with 5 students not taking the quiz)

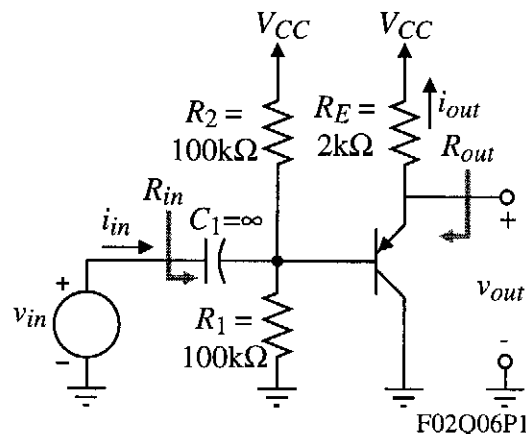
A PNP common-collector amplifier is shown.

Assume the parameters of the transistor are β_F $= 100$, $V_T = 25\text{mV}$, and $V_A = \infty$. (a.) If $I_C = 1$

mA, find the small signal model parameter

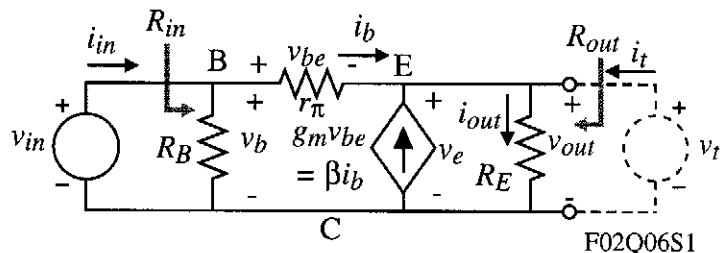
values for g_m and r_π . (b.) Find an algebraic

expression for the small signal input

resistance, R_{in} , the output resistance, R_{out} , thevoltage gain, v_{out}/v_{in} , and the current gain, i_{out}/i_{in} . (c.) Numerically evaluate the smallsignal input resistance, R_{in} , the outputresistance, R_{out} , the voltage gain, v_{out}/v_{in} , andthe current gain, i_{out}/i_{in} .Solution

$$(a.) \quad g_m = \frac{I_C}{V_T} = \frac{1\text{mA}}{25\text{mV}} = \underline{40\text{ mS}}$$

$$\text{and} \quad r_\pi = \frac{\beta_F}{g_m} = \frac{100}{40\text{mS}} = \underline{2.5\text{k}\Omega}$$

(b.) The small-signal model is given below where $R_B = R_1 \parallel R_2$,

$$R_{in} = R_B \parallel [r_\pi + (1 + \beta_F)R_E] = R_B \parallel [r_\pi + (1 + \beta_F)R_E]$$

For R_{out} we apply the voltage source, v_t , and set $v_{in} = 0$ ($v_{be} = -v_t$) and solve for v_t/i_t which equivalent to R_{out} .

$$i_t = G_E v_t - i_b(1 + \beta_F) = G_E v_t + g_\pi(1 + \beta_F)v_t = v_t(G_E + g_\pi + g_\pi\beta_F) = v_t(G_E + g_\pi + g_m)$$

$$\therefore R_{out} = \frac{v_t}{i_t} = \frac{1}{G_E + g_m + g_\pi} \rightarrow R_{out} = \frac{R_E}{1 + g_m R_E + g_\pi R_E}$$

The output voltage can be expressed as,

$$\frac{v_{out}}{v_{in}} = \left(\frac{v_{out}}{i_b}\right) \left(\frac{i_b}{i_{in}}\right) \left(\frac{i_{in}}{v_{in}}\right) = [(1 + \beta_F)R_E] \left(\frac{R_B}{R_B + r_\pi + (1 + \beta_F)R_E}\right) \left(\frac{1}{R_{in}}\right)$$

$$\therefore \frac{v_{out}}{v_{in}} = \frac{(1 + \beta_F)R_E R_B}{R_{in}[R_B + r_\pi + (1 + \beta_F)R_E]} \quad \text{and} \quad \frac{i_{out}}{i_{in}} = \frac{v_{out}/R_E}{v_{in}/R_{in}} = \frac{R_{in}}{R_E} \left(\frac{v_{out}}{v_{in}}\right)$$

(c.) Numerical evaluation:

$$R_{in} = 50\text{k}\Omega \parallel [2.5\text{k}\Omega + (101)2\text{k}\Omega] = \underline{40.17\text{k}\Omega} \quad R_{out} = [0.5\text{mS} + 0.4\text{mS} + 40\text{mS}]^{-1} = \underline{24.45\Omega}$$

$$\frac{v_{out}}{v_{in}} = \frac{101 \cdot 2\text{k}\Omega \cdot 50\text{k}\Omega}{40.17\text{k}\Omega [50\text{k}\Omega + 2.5\text{k}\Omega + (101)2\text{k}\Omega]} = \underline{0.988\text{V/V}} \quad \frac{i_{out}}{i_{in}} = \frac{40.17}{2} (0.988) = \underline{19.84\text{ A/A}}$$