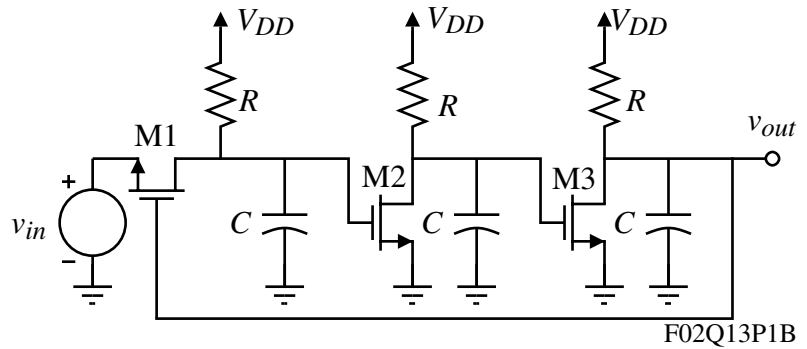


Homework Assignment No. 14Due on Monday, November 22, 2004

Problems in first edition are indicated in ().

1.) Find the loop gain of the amplifier shown. Assume that $g_m = 1\text{mS}$ and $r_{ds} = \infty$ for all MOSFETs and that $R = 10\text{k}\Omega$ and $C = 100\text{nF}$.



- 2.) Problem 18.71 (18.49) of the text.
- 3.) Problem 18.86 (18.61) of the text.
- 4.) Problem 18.88 (18.63) of the text.
- 5.) Problem 18.95 (18.70) of the text.