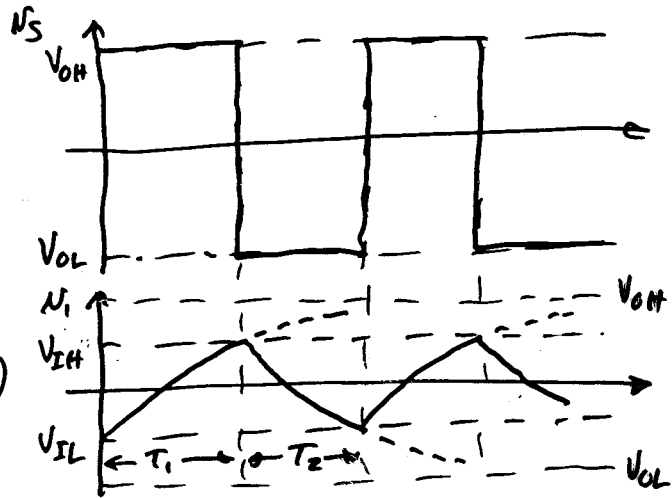
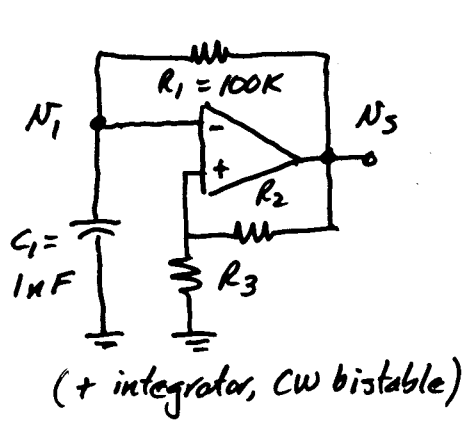


Final Exam - Friday, 12/10/04, 2:50-5:40pm, VL C456

Problem Session: 7pm-8pm, Thurs 12/9 @456?

Simple, 1 opamp Waveform Generator



See lecture 44 for the solution of this problem.