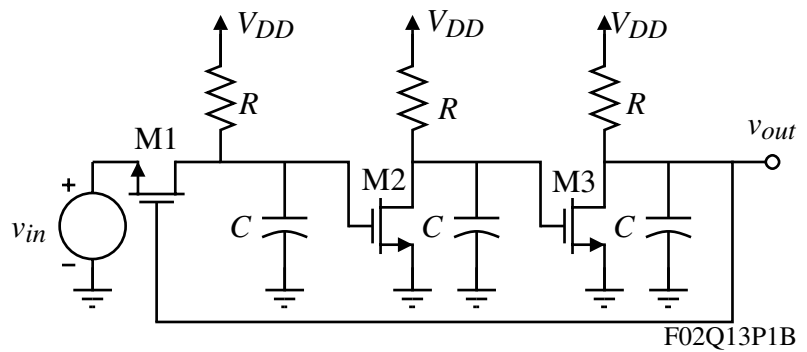


**Homework Assignment No. 14**Due on Wednesday, April 23, 2003

1.) Find the loop gain of the amplifier shown. Assume that  $g_m = 1\text{mS}$  and  $r_{ds} = \infty$  for all MOSFETs and that  $R = 10\text{k}\Omega$  and  $C = 100\text{nF}$ .



- 2.) Problem 18.49 of the text.
- 3.) Problem 18.61 of the text.
- 4.) Problem 18.70 of the text.
- 5.) Problem 12,123 of the text.